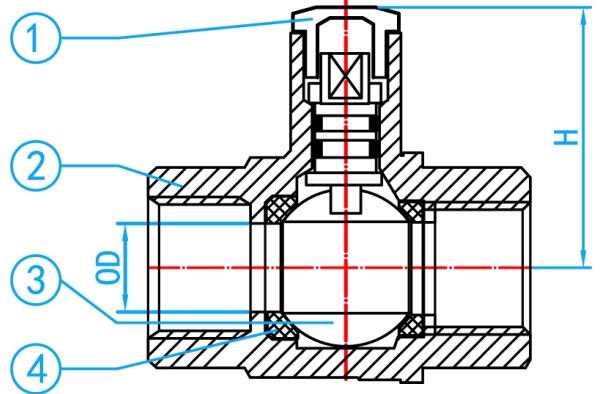


LOCKABLE BRASS FULL BORE KEY HANDLE BALL VALVE



CROSS SECTIONAL VIEW

COMPONENT PARTS

ITEM	PARTS	MATERIAL
1	Key	Zinc Plated Iron
2	Valve Body	DZR Brass
3	Ball	DZR Brass
4	Seat	Teflon

STANDARD SPECIFICATIONS

Nominal pressure	2.0MPa
Maximum working pressure	0.6MPa
Working Medium	Water, Non corrosive liquid
Working Temperature	-20°C ≤ t ≤ 110 °C

DIMENSIONS

SKU	DN (mm)	SIZE (inch)	H (mm)	L (mm)	OD (mm)	WEIGHT (kg)	PCS/CTN
BVLN015	15	1/2" BSP	39	52.5	12.5	0.205	100
BVLN020	20	3/4" BSP	41	55.5	15	0.261	60
BVLN025	25	1" BSP	49.5	69	20	0.456	50
BVLN035	32	1 1/4" BSP	53.5	76.5	25	0.550	20
BVLN042	40	1 1/2" BSP	61.5	88	32	0.850	20
BVLN050	50	2" BSP	68	103	40	1.000	10